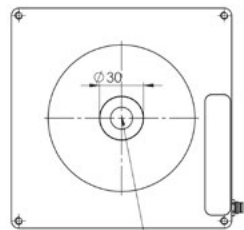
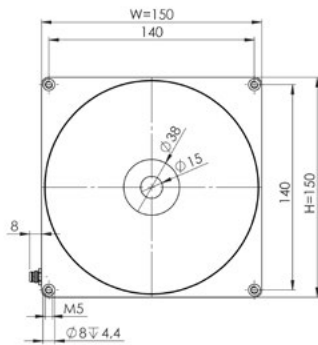


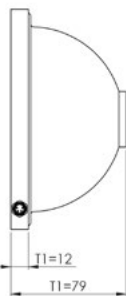
Mechanical Integration

The lights are equipped with 4 combined mounting positions of M5 threaded holes and M4 through holes. The SDL-30 dome light uses M5 through holes. It can be used to fix the lighting to the specified position. To ensure a long operational live time of the light additional heat transfer measures at the mounting positions are highly recommended.

Example: Model SDL-10



Luminous Area (D) Ø100 mm



More 2D and 3D drawings can be found online:
www.mbj-imaging.com

Safety Notes

Before working with this unit, read the warning and application instructions carefully and completely before operating the device.



1. The device is designed for indoor use only.
2. **Light** - Due to the risk of flash burn of the eyes it is not recommended to look directly into the light source. The lighting must be switched off before installation and/or maintenance. The device must not be used when a failure may cause a personal injury.
3. **Heat** - In case of insufficient heat dissipation or when running the light in flash mode with a too high duty cycle, the surface temperature may exceed 60 °C. Keep off flammable materials at any time.
4. **Electricity** - The housing is electrically isolated from the ground of the power supply. Exceeding the permissible input voltage U_{in} or $U_{LED(+)}$ can lead to the destruction of the device or to a significant shortening of the lifetime of the LEDs in the device.
5. **Usage** - Please prevent mechanical stress to the light surface during operation. This will lead to an inhomogenous light emission.
6. **Cleaning** - The light emission surface has to be cleaned with a standard glass cleaner and a soft cleaning cloth. Do not use other material for cleaning as it will damage the device.

Manual SDL Dome Light Series: Rev 01 - 27 January 2021. INDD file Rev07.

MBJ Imaging GmbH

Jochim-Klindt-Strasse 7 +49 41 02 77 89 0- 31
 22926 Ahrensburg, Germany sales@mbj-imaging.com
www.mbj-imaging.com



Operating Manual
 Technical Data

Dome Light Series



Model Sizes in Series

The illumination is available in the following sizes ¹⁾		
SDL-05	SDL-10	SDL-20
SDL-30		

1) Size definition: SDL-10 refers to a light field diameter of 100mm

Possible LED Colors

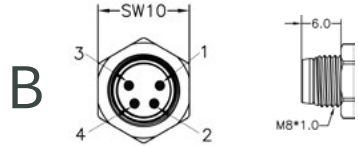
LED	Abbr. ¹⁾	Peak Wavelength ²⁾
White	-WT	5000K, CRI80
Red	-RD	near 625nm
Infrared	-IR	near 850nm
Green	-GN	near 525nm
Blue	-BE	near 465nm
Yellow	-YE	near 580nm

1) Color option will be added to the model name after the size information. SDL-10-RD refers to a bar with 625nm red light

2) This is an approximated value. The exact value also depends on LED temperature and LED current

Electrical Connection

The lighting is equipped with an 4 pin M8x1 connector.



Pin	Color ¹⁾	Standard (-s)	Direct (-x) ²⁾
1	brown	24 VDC	LED (+)
2	white	Dim	LED (+)
3	blue	Trigger	LED (-)
4	black	Ground	LED (-)

1) wire color of MBJ lighting cable

2) connection to 24VDC without external LED controller may destroy the unit

Additional Information:

Pin3 (Trigger) is an 'active high' input signal with 5...24V=ON and 0...1V=OFF, it is a high resistance current sink with 0.2mA for 5V and 5mA for 24V

Pin2 (DIM) is used as brightness control and operation mode switch, it is a high resistance current sink with 0.2mA for 5V and 1mA for 24V.

For the connection it is recommended to use the MBJ lighting cable with a maximum length of 10m.

Integrated Controller (-s)

Supported operation modes with the integrated LED controller

Pin 2 (Dim)	Operation mode
24V	steady light ¹⁾
1...10V	steady light with brightness control ²⁾
24V	triggered light
GND	triggered flash light with max. 20ms and up-to 100% more light intensity ³⁾

1) Pin 3 (Trigger) needs permanent 24V to activate steady light mode

2) PWM with 3.8kHz clock is used, recommended minimal camera exposure is 5ms

3) latency between trigger and LED light ON is about 20...30µs, the maximum recommended clock speed is 1 kHz, the maximum recommended duty cycle is 25% and the minimum recommended flash time is 100µs

Specification	SDL-05	SDL-10	SDL-20	SDL-30
Optical parameter				
Luminous area (D = diameter)	50mm	100mm	200mm	300mm
Lens hole (D=diameter)	20mm	30mm	30mm	33mm
Light emission	strong diffuse indirect light as reflection from the inner dome surface, an optional light shade can be used to reduce the lens hole in the dome			
Recommended use	for brightfield illumination of highly reflective objects			
Luminous Flux of white LEDs [lumen] ²⁾	690	1030	2060	2740
Radiant Power of red LEDs [mW] ²⁾	2020	3020	6050	8060
Radiant Power of IR LEDs [mW] ²⁾	970	1460	2910	3880
Electrical parameter				
Available interfaces	-s with integrated LED Controller and 4 operation modes; -x with direct LED access (external LED control is required)			
U _{in} for -s Version	24V DC +/- 5%			
U _{LED(+)} range for -x version ³⁾	WT / BE / YE: 17 ... 20 VDC; GN: 20 ... 23 VDC; RD: 12 ... 15 VDC; IR: 9 ... 12 VDC			
Typical Power (-s version)				
Steady light operation	6W	8W	16W	22W
During ON time at flashed light operation	15W	18W	44W	44W
Recommended LED current (-x version)				
Steady light (100% duty cycle)	300mA	450mA	900mA	1200mA
Flash light (50% duty cycle, 500ms pulse)	600mA	900mA	1800mA	2400mA
Flash light (25% duty cycle, 50ms pulse)	900mA	1350mA	2700mA	3600mA
General parameter				
Dimension (H x W x D)	100mm x 100mm x 52mm	150mm x 150mm x 80mm	250mm x 250mm x 129mm	350mm x 350mm x 179mm
Weight	230g	450g	1000g	1950g
Material	Black anodized aluminum housing with plastic dome			
Connector	M8x1 socket, 4 pin, male (pinning details on the next page)			
Operating temperature	10°C to 30°C			
Certifications	CE, RoHS			
Degree of protection	IP54			
Humidity	30% to 70%			
Accessories	For cable, mounts and LED controller please check www.mbj-imaging.com			

1) Values are approximate with +/- 7% tolerance

2) Does not apply for back light series

3) Lower voltage value refers to steady light, higher voltage value refers to flash light, please see max. allowed current in the row below

Application Samples for (-s) controller

