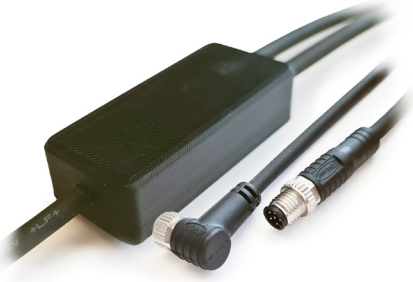


Y-flash cable -s, control for Ace2 GigE



Model	Item number
Y-flash cable, M8	03624.00
Y-flash cable, M12	04090.00

For use with -s controlled MBJ light in combination with Ace2 GigE

Y-cable for setting up MBJ lighting in flash-mode and Ace 2 camera via one cable connection. Supply of camera and lighting with one external power source (power source not included).

Safety Notes

Before working with this unit, read the warning and application instructions carefully and completely.



The y-cable automatically switches the light into flash-mode. Depending on the chosen lighting there might be a risk of flash burn of the eyes. It is not recommended to look directly into the light source. The lighting must be switched off before installation and/or maintenance. The device must not be used when a failure may cause a personal injury.



In case of insufficient heat dissipation or when running the light in flash-mode with a too high duty cycle, the surface temperature of the light may exceed 60 °C. Keep off flammable materials at any time. Too high temperature and humidity could damage the device.



The housing is electrically isolated from the inside electronic. External grounding is possible. Exceeding the permissible input voltage range can lead to the destruction of the y-cable and/or the connected devices.



The device is designed for indoor use only. Please prevent mechanical stress to the device during operation.

Specification

Connector: MBJ light cable	M8x1 socket, 4-pin, tilted M12x1 socket, 4-pin, axial
Connector: Ace2 GigE camera cable	M8 plug, 6-pin, male
Open end cable	4-pin open end, 0.25 mm ²
Max. current	3 A
Weight	200 g
Recommended operating temperature	10°C to 30°C
Recommended humidity	30 % to 70 %, not condensing
Degree of protection	IP 67
Certifications	CE, RoHS

Triggered flash light

The y-cable will connect the MBJ light with the integrated -s/-sc controller in flash/strobe mode with a brightness optimized light output. The maximum possible flash time is 20 ms.

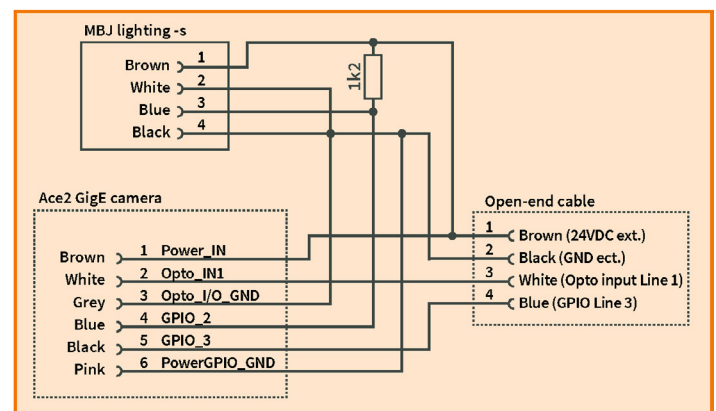
If the trigger signal remains active longer than 20 ms, the light automatically switches off. The maximum recommended clock speed is 1 kHz, the maximum recommended duty cycle is 25 % and the minimum recommended flash time is 100 µs.

Electrical Connection

1. Connect the 4-pin M8x1/M12x1 socket to the MBJ lighting
2. Connect the 6-pin M8 plug to the Ace2 camera
3. Connect the 4-pin open end as mentioned in the table below
4. Line 2 is internally connected with the trigger input of the MBJ lighting. Configure line 2 as an output via software. Be sure to activate the line inverter option.

Set up the e.g. exposure active at line 2 to trigger the MBJ lighting every time the camera exposure is active.

Wire color ¹	Signal	Comment
Brown	24VDC	Connect to external power supply 24VDC. Wired to: ▪ MBJ lighting 24VDC ▪ Camera power supply 24VDC"
Black	GND	Connect to external power supply GND. Wired to: ▪ MBJ lighting GND ▪ Camera power supply GND ▪ Camera Opto I/O GND
White	Opt in 1	Input opto-coupled Line 1 of Ace 2 camera, optional. Connect if necessary and configure via software.
Blue	Line 3	GPIO Line 3, optional. Input or Output. Connect if necessary & configure via software



1) Wire color open end MBJ lighting cable