

Standard ring lights

SRL Series

Innovative LED lighting
for machine vision



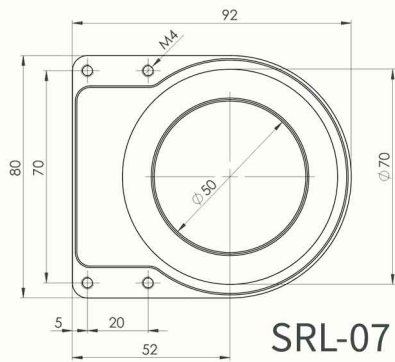
Ring light illumination
in various colors, dimensions and beam angles

- High light efficiency
- Save operation
- Easy integration
- Cost saving

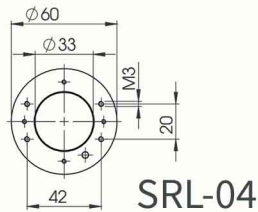
Ring lights are standard illumination lights for various applications. Mounted in front of the camera lenses compact inspection units are possible. The build-in current source is ready for steady light operation with 24V. Different LED beam angles are now available allowing object inspection from various distances.

Standard ring lights

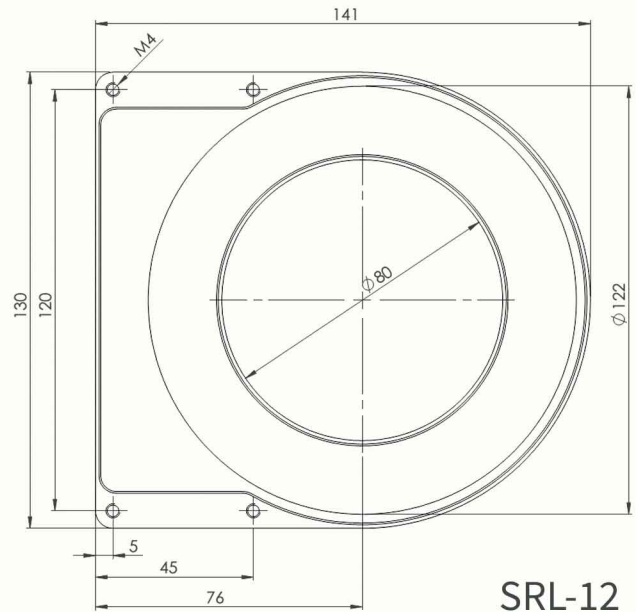
SRL Series



SRL-07



SRL-04



SRL-12

Specification

Type of lighting	Direct ring shaped lighting with different lens hole diameter and LED beam angle
Peak wave length	Red (RD): ~ 625nm / White (WT): ~460nm and ~560nm
Supply voltage	24 V DC +/- 10%
Operation modes	Steady light with 24 V, optional flash light with external controller
Flash light overdrive	Up to 300% (depending on duty cycle and pulse width up to 500%)
Connection	M8 male connector with 4 pin for 24 V, U(flash), GND, Rsense
Operation conditions	Temperature -10° to 30°C, humidity 30% to 70%
Accessories	Camera holder

SRL-Series 08.06.2018

Model ¹	Light field	Beam angle	LED color ¹	Dimension	Price ²
SRL-04	d = 60 mm	120°	white, red	Di=33, Da=60, H12 mm	150 €
SRL-07	d = 70 mm	120°	white, red	Di=50, 80 x 92 x12 mm	160 €
SRL-12	d = 120 mm	120°	white, red	Di=50, 80 x 92 x12 mm	280 €
SRLm-12	d = 120 mm	80°	white, red, green	Di=50, 80 x 92 x12 mm	360 €
SRLf-12	d = 120 mm	30°	white, red, green	Di=50, 80 x 92 x12 mm	430 €

1) Custom-made solutions on request

2) Price plus VAT, packaging and transportation costs