

Standard ring lights

SRL Series

Innovative LED lighting
for machine vision



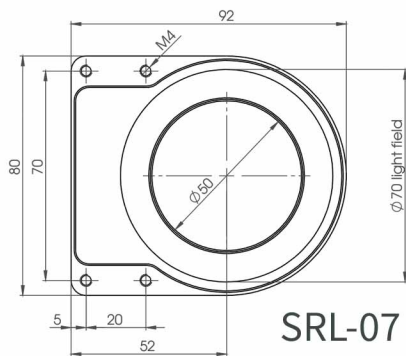
Ring light illumination
in various colors, diameters and beam angles

- ⇒ High light efficiency
- ⇒ Save operation
- ⇒ High Quality
- ⇒ Cost saving

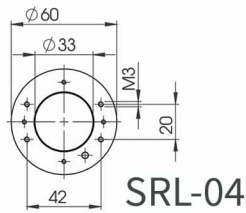
Ring lights are standard illumination lights for various applications. Mounted in front of the camera lenses compact inspection units are possible. The new flexible controller concept allows an easy adaptation to different operation modes.

Standard ring lights

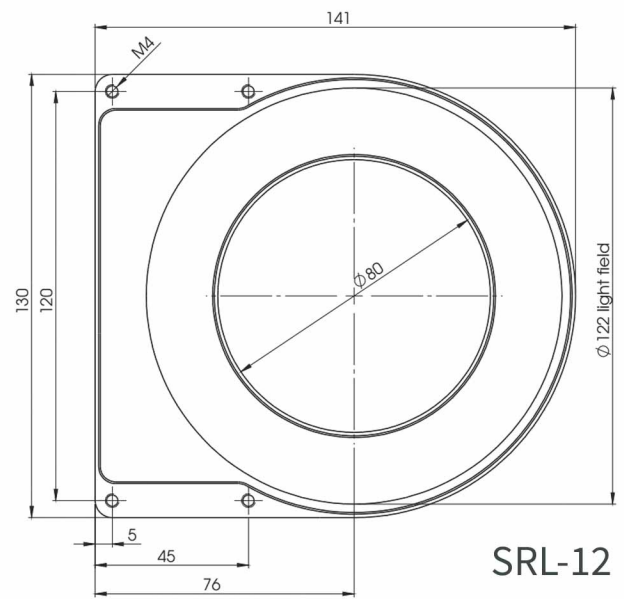
SRL Series



SRL-07



SRL-04



SRL-12

Specification

Type of lighting	Direct ring shaped lighting with different lens hole diameter and LED beam angle
Supply voltage	24 V DC +/- 10%
Connection	M8 male connector with 4 pin
Accessories	Camera holder

Model ¹	Light field	Beam angle	LED color ¹	Dimension	Price ²
SRL-04	d = 40 mm	120°	white, red	Di=33, Da=60, H12 mm	150 €
SRL-07	d = 70 mm	120°	white, red	Di=50, 80 x 92 x12 mm	160 €
SRL-12	d = 120 mm	120°	white, red	Di=80, 130 x 141 x14 mm	280 €
SRLm-12	d = 120 mm	80°	white, red	Di=80, 130 x 141 x14 mm	290 €
SRLwf-12	d = 120 mm	40°	white, red	Di=80, 130 x 141 x14 mm	360 €
SRLmf-12	d = 120 mm	30°	white, red	Di=80, 130 x 141 x14 mm	360 €
SRLnf-12	d = 120 mm	20°	white, red	Di=80, 130 x 141 x14 mm	360 €

1) Other LED colors and models available 2) Price plus VAT, packaging and transportation costs

Operation Modes ¹	Mode description	Price ²
(standard)	24V steady light, intergrated current source	+ 0 €
(-x)	External LED control only	- 20 €
(-i) / (-ic)	24V fast flash light, integreated voltage controller / camera connector	+ 20 € / 40 €
(-jb)	24V overdrive flash light and steady light with dimmer	+ 20 €
Features	Automatic current Rsense detection for (standard) an (-x) models	

1) Some models do not support all operations modes. Please refer to the manual 2) Adaptation to the models base price